

# Network Video Recorder

## NVR508-E-R Series



### Features

- Support Ultra 265/H.265/H.264 video formats
- 32/64/128-channel input
- Support mainstream cameras of ONVIF conformance(Profile S, Profile G, Profile T ) and RTSP protocols
- Support 2 HDMI and 2 VGA. VGA1 and HDMI1 simultaneous output, VGA2 and HDMI2 simultaneous output. VGA1/HDMI1 and VGA2/HDMI2 independent output
- Up to 32 Megapixels resolution recording
- Support N+1 Hot spare
- Support HDD hot swap with RAID 0, 1, 5, 6, 10 storage scheme configurable
- Redundant power supply optional
- ANR technology to enhance the storage reliability when the network is disconnected
- Support cloud upgrade

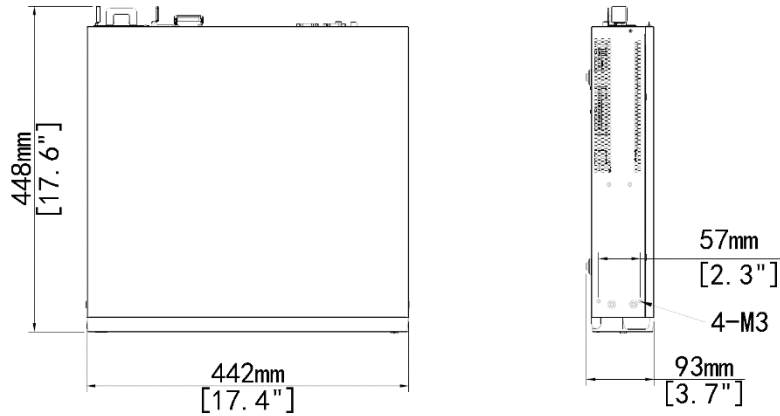
### Specifications

Decoding	Description
Decoding Format	Ultra 265, H.265, H.264
Decoding Capability	NVR508-32E-R:2 x 32MP@30, 4 x 16MP@30, 5 x 12MP@30, 8 x 4K@30, 16 x 4MP@30, 32 x 1080P@30 NVR508-64E-R:2 x 32MP@30, 4 x 16MP@30, 5 x 12MP@30, 8 x 4K@30, 16 x 4MP@30, 32 x 1080P@30, 54 x 960P@25, 64 x 720P@30 NVR508-128E-R:2 x 32MP@30, 4 x 16MP@30, 5 x 12MP@30, 8 x 4K@30, 10 x

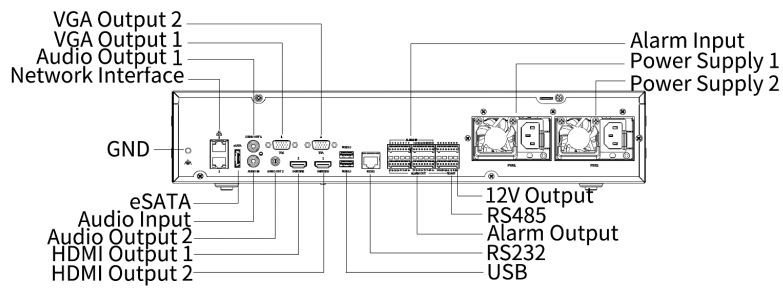
	6MP@30, 12 x 5MP@30, 16 x 4MP@30, 20 x 3MP@30, 32 x 1080P@30, 54 x 960P@25, 72 x 720P@30, 128 x D1
Audio Compression	G.711A, G.711U
<b>Network</b>	<b>Description</b>
Incoming Bandwidth	384Mbps
Outgoing Bandwidth	384Mbps
Remote Users	128
Protocols	TCP/IP;P2P;UPnP;NTP;DHCP;PPPoE;HTTP;HTTPS;DNS;DDNS;SNMP;SMTP;NFS;RTSP;802.1x;IPV6
Browser(Plugin)	NVR508-32E-R/NVR508-64E-R:IE(IE10/11)for Windows, Firefox(version 52.0 and above)for Windows, Chrome(version 45 and above)for Windows, Edge(version 79 and above)for Windows NVR508-128E-R:Windows:IE(IE10/11), Firefox (version 52.0 and above), Chrome(version 45 and above), Edge(version 79 and above)
<b>Video/Audio Input</b>	<b>Description</b>
RCA Audio Input	1-ch
<b>Video/Audio Output</b>	<b>Description</b>
HDMI Output	NVR508-32E-R/NVR508-64E-R:HDMI1, HDMI2:4K(3840x2160)/60Hz, 4K(3840x2160)/30Hz, 1920x1080/60Hz, 1920x1080/50Hz, 1600x1200/60Hz, 1280x1024/60Hz, 1280x720/60Hz, 1024x768/60Hz NVR508-128E-R:HDMI1, HDMI2:4K(3840x2160)/60Hz,4K(3840x2160)/30Hz, 1920x1080/60Hz, 1920x1080/50Hz, 1600x1200/60Hz, 1280x1024/60Hz, 1280x720/60Hz, 1024x768/60Hz
VGA Output	VGA1, VGA2:1920x1080/60Hz, 1920x1080/50Hz, 1600x1200/60Hz, 1280x1024/60Hz, 1280x720/60Hz, 1024x768/60Hz
RCA Audio Output	2-ch
Liveview Display	NVR508-32E-R:1/4/6/8/9/16/25/32 NVR508-64E-R/NVR508-128E-R:HDMI1/VGA1:1/4/6/8/9/16/25/36/64, HDMI2/VGA2:1/4/6/8/9/16/25/36
Corridor Mode Screen	3/4/5/7/9/10/12/16/32
<b>Two-way Audio</b>	<b>Description</b>
Two-way Audio	1-ch, RCA(Using the audio input and output)
<b>Snapshot</b>	<b>Description</b>
FTP/Schedule/Event Snapshot	16-ch snapshot, up to 1080P resolution
<b>Recording</b>	<b>Description</b>
Recording Resolution	32MP/16MP/12MP/8MP/6MP/5MP/4MP/3MP/1080P/960P/720P/D1/2CIF/CIF
Synchronous Playback in Local	16-ch
<b>Smart</b>	<b>Description</b>
VCA Detection by IPC	Face Detection;Vehicle Detection;SIP(Intrusion Detection, Cross Line Detection, Enter Area, Leave Area);Ultra Motion Detection(UMD);Temperature Detection(Fire Detection, Smoking Detection, Temperature Measurement, Smoke and Fire Detection);People Counting(People Flow Counting, Crowd Density Monitoring);Video Metadata;Traffic Monitoring
VCA Search	Motor Vehicle Search;Non-Motor Vehicle Search;Human Body Search;General Search;People Counting Report;Heat Map
Smart by IPC	All channels (up to 16 images/s in total)Face Detection, Vehicle Detection, Temperature Detection, SIP, UMD, Video Metadata, Traffic Monitoring

Vehicle Picture Library	Up to 5 vehicle picture libraries, with up to 25,000 vehicle pictures in total
<b>Alarm</b>	<b>Description</b>
General Alarm	Defocus Detection;Scene Change Detection;Object Left Behind;Object Removed;Auto Tracking;Motion Detection;Tampering;Human Body Detection;Video Loss;Alarm Input;Audio Detection
Alert Alarm	IP Conflict;Network Disconnected;Disk Offline;Disk Abnormal;Illegal Access;Hard Disk Space Low;Hard Disk Full;Recording/Snapshot Abnormal
<b>GUI Language</b>	<b>Description</b>
GUI Language	38 languages: Simplified Chinese, Traditional Chinese, English, Vietnamese, Thai, Turkish, Spanish (Latin America), Portuguese (Brazil), Spanish, Portuguese, French, German, Italian, Dutch, Polish, Czech, Hungarian, Slovak, Russian, Hebrew, Arabic, Ukrainian, Estonian, Bulgarian, Greek, Romanian, Danish, Swedish, Norwegian, Finnish, Croatian, Slovenia, Serbia, Korean, Japanese, Latvian, Lithuanian, Persian
<b>Hard Disk</b>	<b>Description</b>
SATA	8 SATA Interfaces
Capacity	Up to 16TB for each HDD(The maximum HDD capacity varies with environment temperature)
Disk Group	Support
Disk Array Type	RAID 0, 1, 5, 6, 10
Hot Swap	Support
<b>External Interface</b>	<b>Description</b>
Network Interface	2 RJ45 10M/100M/1000M self-adaptive Ethernet Interface
USB	Front panel: 2 x USB2.0;Rear panel: 2 x USB3.0
RS485	1
RS232	1
Alarm In	16-ch
Alarm Out	10-ch
eSATA	1
Power Output	12V
Power Supply	AC 100 ~ 240 V
<b>Working Environment</b>	<b>Description</b>
Working Temperature	-10 ° C ~ 55 ° C (14 ° F ~ 131 ° F)
Working Humidity	≤ 90% RH (non-condensing)
Power Consumption (without HD D)	≤ 50W
<b>Dimensions</b>	<b>Description</b>
Weight (without HDD)	≤ 6Kg (13.23lb)
Dimensions	442mm × 448mm × 93mm (17.4" × 17.6" × 3.7")
<b>Certification</b>	<b>Description</b>
Certification	CE, FCC, UL, RoHS, WEEE
CE	EN 55032, EN 61000-3-3, EN IEC 61000-3-2, EN 55035
FCC	Part15 Subpart B

## Dimensions



## Rear Panel



### Zhejiang Uniview Technologies Co., Ltd.

No. 369, Xietong Road, Xixing Sub-district, Binjiang District, Hangzhou City, 310051, Zhejiang Province, China

Email: [overseasbusiness@uniview.com](mailto:overseasbusiness@uniview.com); [globalsupport@uniview.com](mailto:globalsupport@uniview.com)

<http://www.uniview.com>

©2023-2024 Zhejiang Uniview Technologies Co., Ltd. All rights reserved.

\*Product specifications and availability are subject to change without notice.

\*Despite our best efforts, technical or typographical errors may exist in this document. Uniview cannot be held responsible for any such errors and reserves the right to change the contents of this document without prior notice.